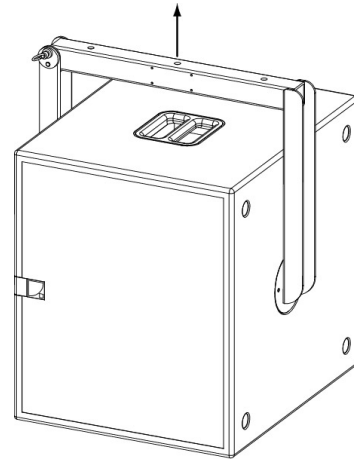




# DECLARATION OF CE CONFORMITY

For the product:

Catalog Item: ETRI5P  
Description: L-ACOUSTICS® ETRI5P  
Rigging accessory  
Dimensions: 527 mm x 415 mm x 60 mm  
Material: Steel



## Product Origin

Country of origin of the product: France  
Country of origin for components of the product: EEC

## Technical Specifications :

*The ETRI5P rigging accessory is intended for overhead suspension (horizontal or vertical orientation) of the SB15P loudspeaker. The following chart indicates the safety factor when using the ETRI5P rigging accessory according to the conditions described in the L-ACOUSTICS P SERIES OPERATOR MANUAL:*

|                                    | <b>ETRI5P</b>     |
|------------------------------------|-------------------|
| Weight                             | 5.3 Kg / 11.7 lbm |
| WLL                                | 36 daN / 80.9 lbf |
| Ultimate Strength<br>Safety Factor | > 12              |

## Standards conformity

The ETRI5P is designed for the suspension of one SB15P loudspeaker enclosure only. The ETRI5P can be attached to an appropriate support using 1, 2 or all 3 of the 11 mm diameter holes on the main bracket, refer to the P Series Operator manual for detailed mounting instructions.

L-ACOUSTICS hereby declares that the ETRI5P conforms to :

**13. The Machinery Directive 98/37/CE, Part 4 : Lifting Accessories**

Established at Marcoussis, France, on the 4<sup>th</sup> of May, 2006

Jacques Spillmann, Chief Engineer - Manufacturing